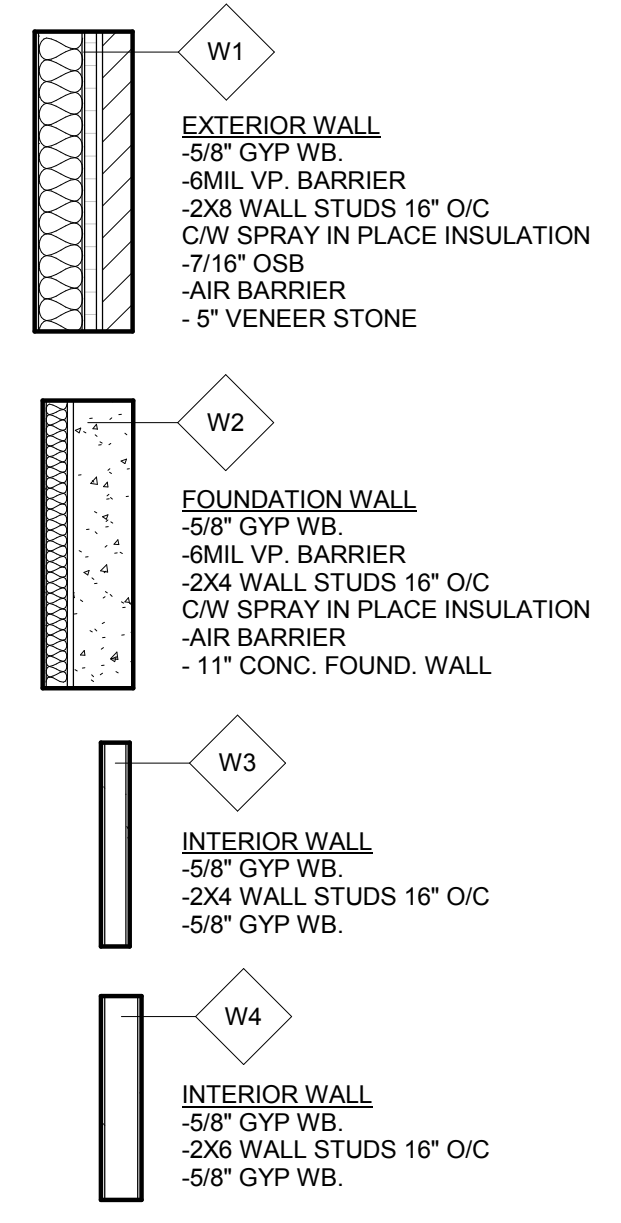
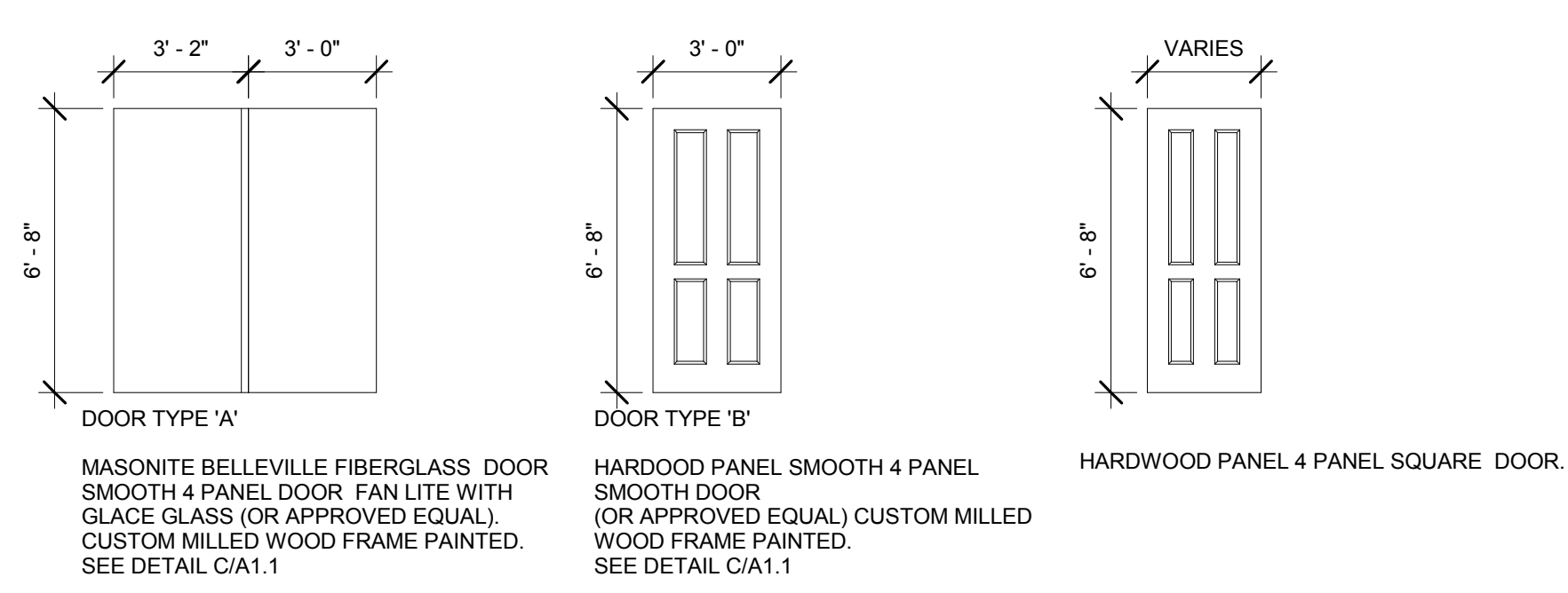


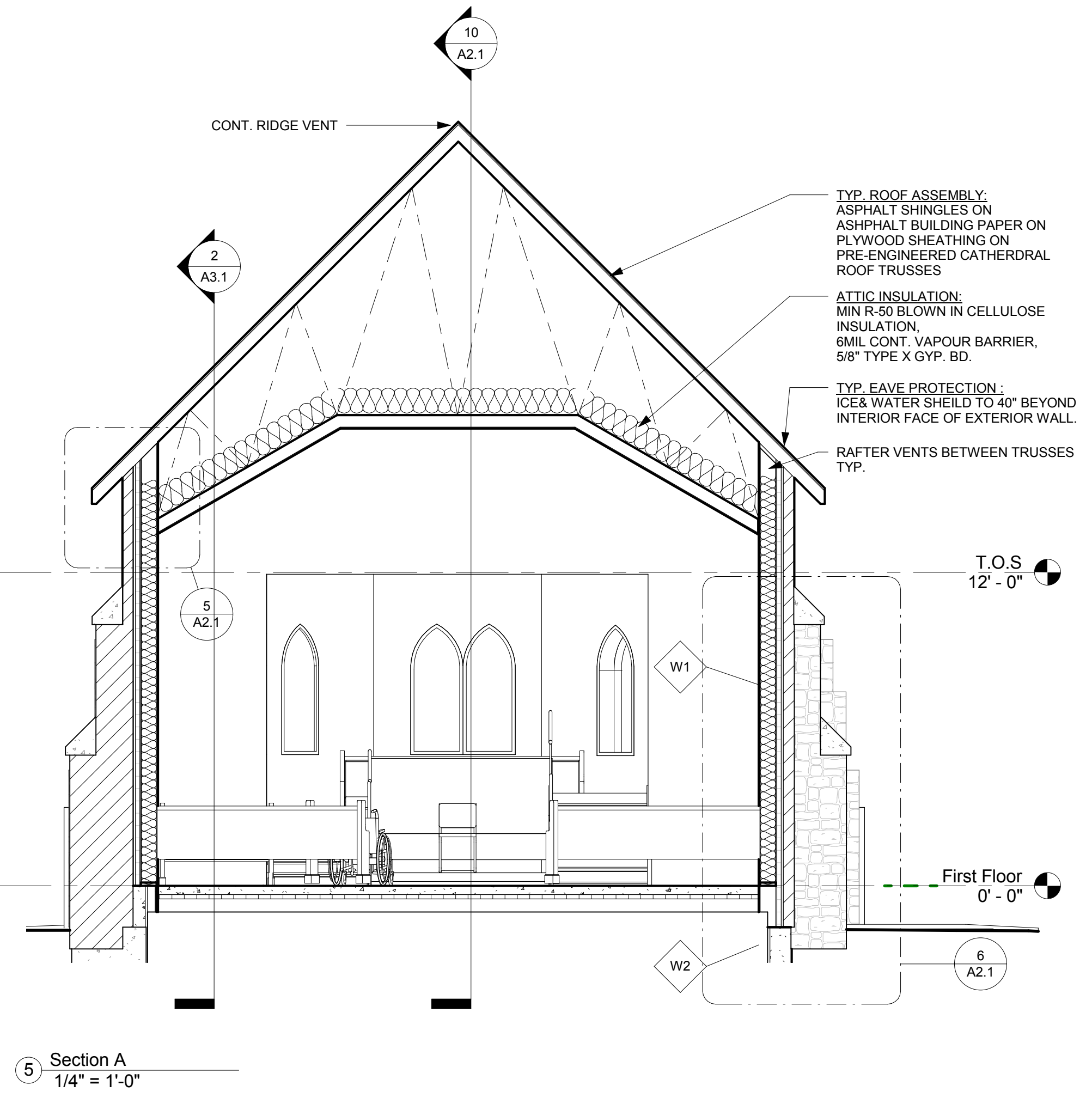
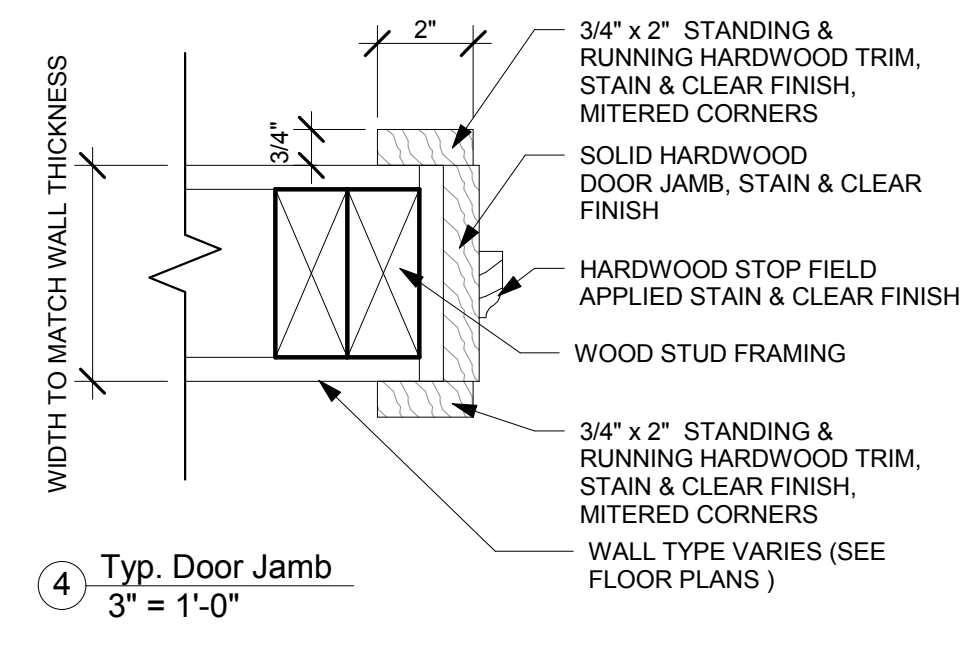
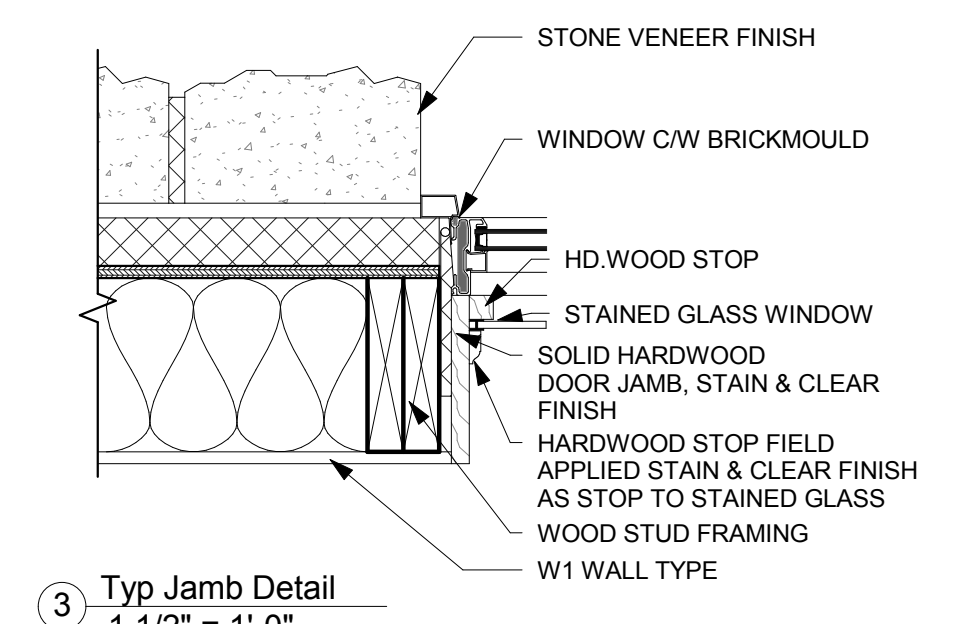
| Type Mark | Type | Type Comments | Description | Comments |
|-----------|------|----------------------------|------------------------|----------|
| WN3 | 3 | 2'-2" Stained Glass | Desboro Anglican | |
| WN3 | 3 | 2'-2" Stained Glass | Desboro Anglican | |
| WN3 | 3 | 2'-2" Stained Glass | Desboro Anglican | |
| WN3 | 3 | 2'-2" Stained Glass | Desboro Anglican | |
| WN3 | 3 | 2'-2" Stained Glass | Desboro Anglican | |
| WN3 | 3 | 2'-2" Stained Glass | Desboro Anglican | |
| WN2 | 2 | 4'-0" Stained Glass Window | Desboro United | |
| WN2 | 2 | 4'-0" Stained Glass Window | Desboro United | |
| WN2 | 2 | 4'-0" Stained Glass Window | Desboro United | |
| WN2 | 2 | 4'-0" Stained Glass Window | Desboro United | |
| WN2 | 2 | 4'-0" Stained Glass Window | Desboro United | |
| WN1 | 1 | 2'-3" Stained Glass | | |
| WN1 | 1 | 2'-3" Stained Glass | | |
| W3 | 4 | 4'-0" Stained Glass | Desboro United transom | |



1 First Floor
1/4" = 1'-0"



| Mark | Type | Width | Family |
|------|-----------|-------|----------------|
| D1 | 72" x 84" | 6'-0" | Double-Panel 2 |



2 Wall Type Legend
3/8" = 1'-0"

1 ISSUED FOR CLIENT REVIEW 2014.04.30

G.M. DIEMERT ARCHITECT INC.
957 FOURTH AVENUE EAST
OWEN SOUND, ONTARIO
SUITE #201
N4K 2N9 (519) 376-1975



Project Status
Moreston Village Historic Church

Ground Floor Plan

Project No. 0003 Scale: As indicated

A1.1