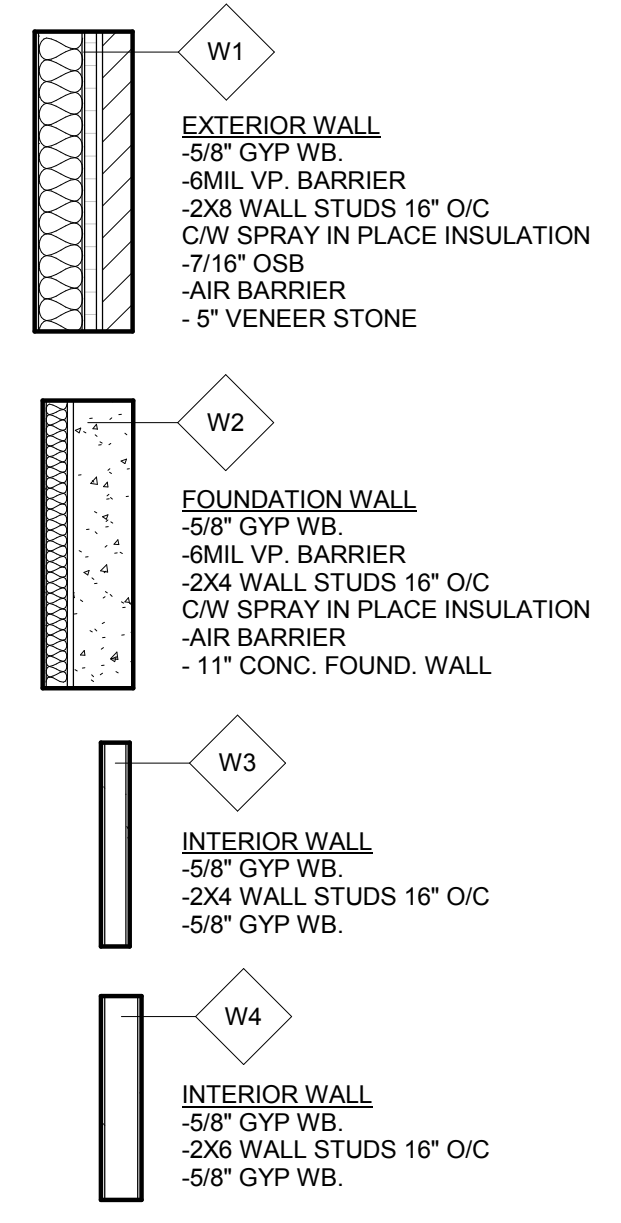
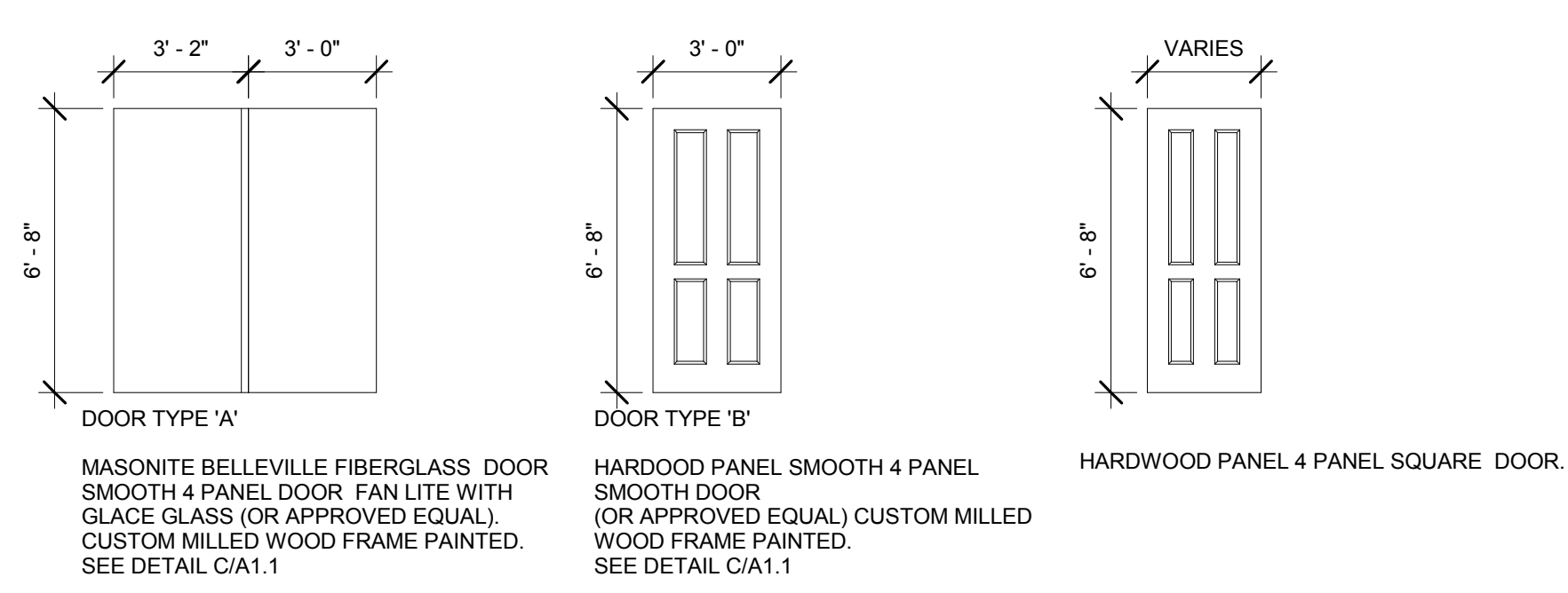


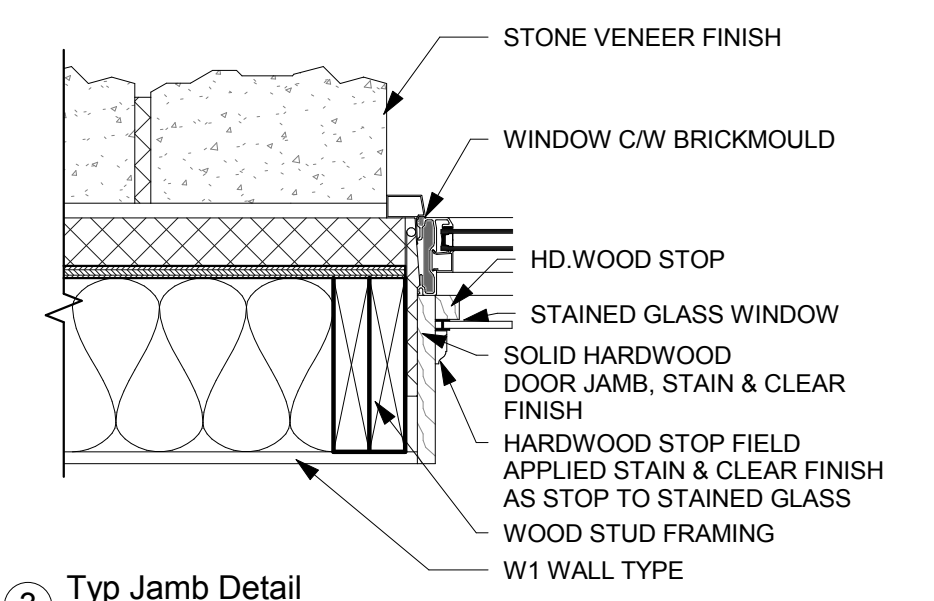
Type Mark	Type	Type Comments	Description	Comments
WN3	3	2'-2" Stained Glass	Desboro Anglican	
WN3	3	2'-2" Stained Glass	Desboro Anglican	
WN3	3	2'-2" Stained Glass	Desboro Anglican	
WN3	3	2'-2" Stained Glass	Desboro Anglican	
WN3	3	2'-2" Stained Glass	Desboro Anglican	
WN3	3	2'-2" Stained Glass	Desboro Anglican	
WN2	2	4'-0" Stained Glass Window	Desboro United	
WN2	2	4'-0" Stained Glass Window	Desboro United	
WN2	2	4'-0" Stained Glass Window	Desboro United	
WN2	2	4'-0" Stained Glass Window	Desboro United	
WN2	2	4'-0" Stained Glass Window	Desboro United	
WN1	1	2'-3" Stained Glass		
WN1	1	2'-3" Stained Glass		
W3	4	4'-0" Stained Glass	Desboro United transom	



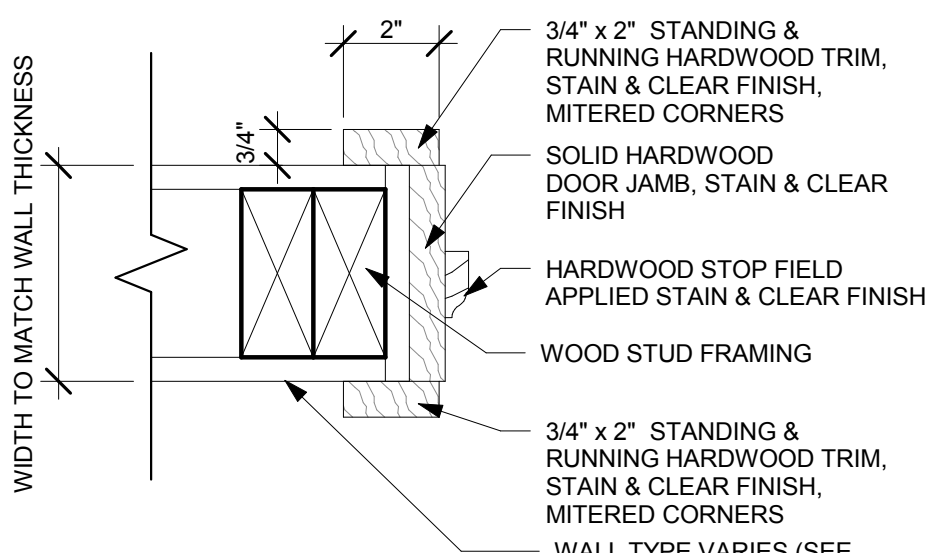
1 First Floor
1/4" = 1'-0"



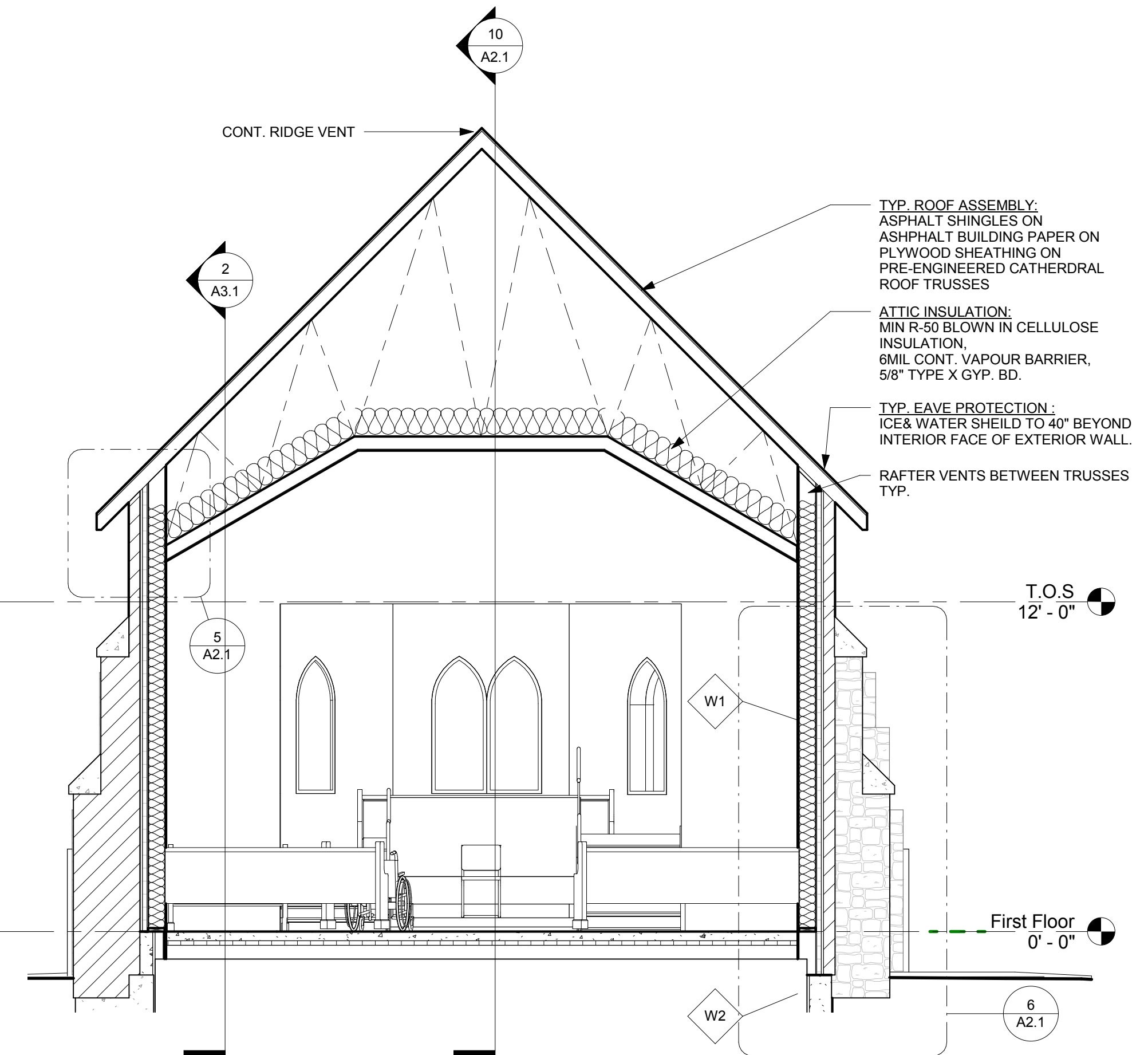
Mark	Type	Width	Family
D1	72" x 84"	6'-0"	Double-Panel 2



3 Typ Jamb Detail
1 1/2" = 1'-0"



4 Typ. Door Jamb
3" = 1'-0"



5 Section A
1/4" = 1'-0"

2 Wall Type Legend
3/8" = 1'-0"

1 ISSUED FOR CLIENT REVIEW 2014.04.30

G.M. DIEMERT ARCHITECT INC.
957 FOURTH AVENUE EAST
OWEN SOUND, ONTARIO
SUITE #201
N4K 2N9 (519) 376-1975



Project Status
Moreston Village Historic Church
Owner

Ground Floor Plan

Project No. 0003 Scale: As indicated

A1.1

Accessibility Advisory Committee

March 4, 2016 – 2:00 PM

Seminar Room, Grey County Administration Building

- 1. Call to Order**
- 2. Election of the Chair and Vice Chair**
- 3. Declaration of Pecuniary Interest**
- 4. Business Arising from the Minutes**
 - a. Minutes of Accessibility Advisory Committee meeting dated November 13, 2016, adopted as presented by Corporate Services Committee on January 12, 2016

[Accessibility Advisory Committee Minutes November 13, 2015](#)
- 5. Reports – Clerk’s**
 - a. CCR-AAC-12-16 Accessibility Audit Update
- 6. Review of Revised Construction Drawings for the Proposed Addition and Renovation of the Administration Building**
- 7. Review of Revised Construction Drawings for the Historic Church at Grey Roots Museum**
- 8. Other Business**
- 9. Next Meeting Dates**
 - a. Second Quarter of 2016
- 10. Adjournment**